

P 产品介绍

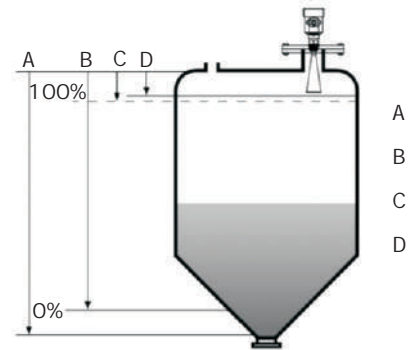
Product Introduction

70 26G



W 工作原理

Working Principle



D

P 产品特点

Product Features

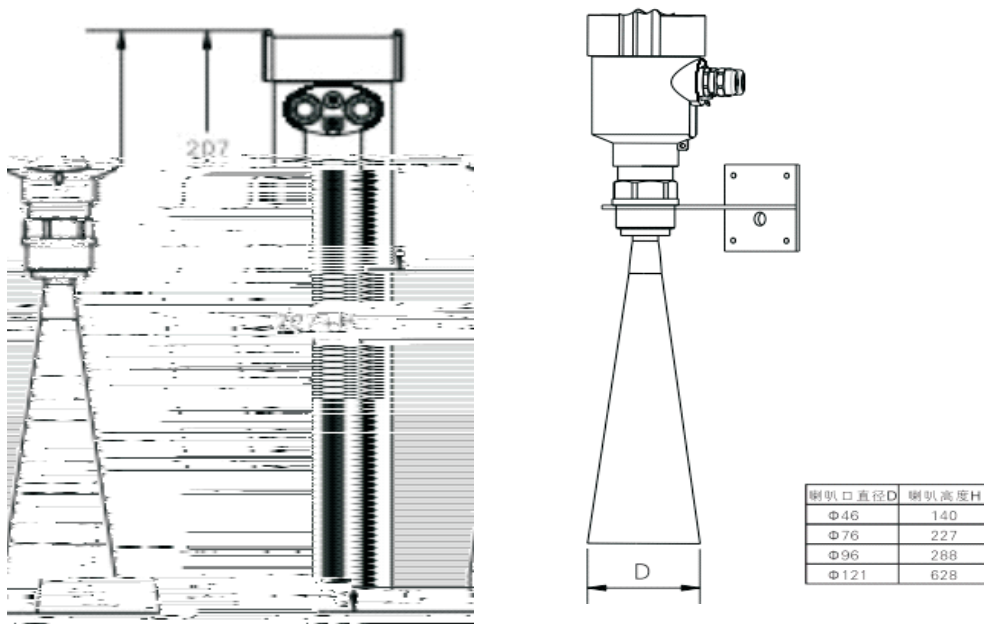
- ◆
- ◆
- ◆
- ◆
- ◆
- ◆

70

S 技术参数 Specification

| | |
|--|----------------------------|
| | 30 |
| | -40~100 |
| | ±3mm |
| | 26GHz |
| | 4~20mA/HART · RS485/Modbus |
| | 6-26VDC |

D 外形尺寸 (mm) Dimensions



T 产品选型 Type selection

| 单元 | 代码 | 参数 |
|----|----|------------------------|
| | A | 0-15 |
| | B | 0-30 |
| / | B | Ø76 / 316L |
| | C | Ø96 / 316L |
| | Y | |
| | M | G1½A |
| | N | |
| | A | DN 50/PP |
| | B | DN 80/PP |
| | C | DN 100/PP |
| | D | DN 125/PP |
| | E | DN 50/ 304 |
| | F | DN 80/ 304 |
| | G | DN 100/ 304 |
| | K | DN 125/ 304 |
| | Y | |
| / | V | -40~ 150 |
| | K | -60~ 150 |
| | 1 | (4 ~ 20)mA 24V DC/HART |
| | 2 | RS485/Modbus(6-26V) |
| | 3 | GPRS |
| / | L | /IP67 |
| | G | /IP67 |
| | M | M20*1.5 |
| | N | 1/2 NPT |
| / | A | |
| | X | |
| | Y | |